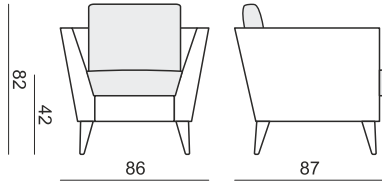


jasmine

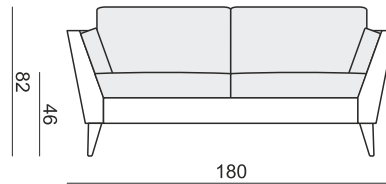




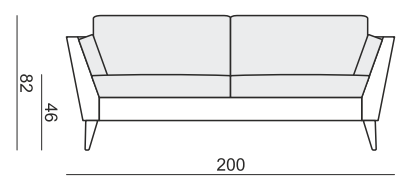
ARMCHAIR



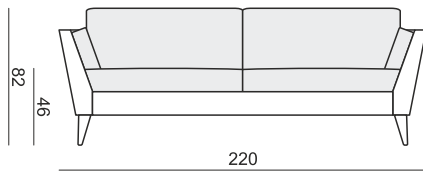
2 SEATER



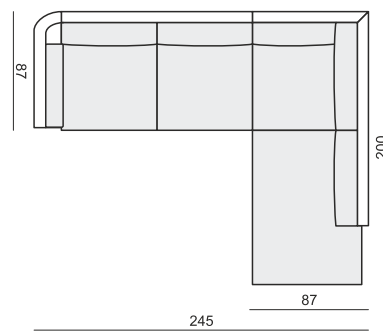
2,5 SEATER



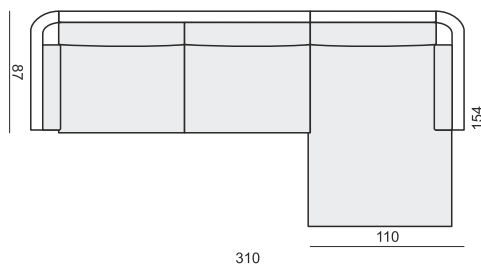
3 SEATER



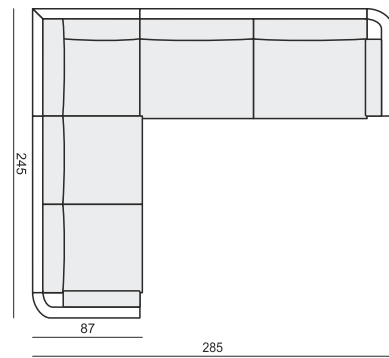
2 SEATER LEFT (or RIGHT) + DIVAN RIGHT (or LEFT)



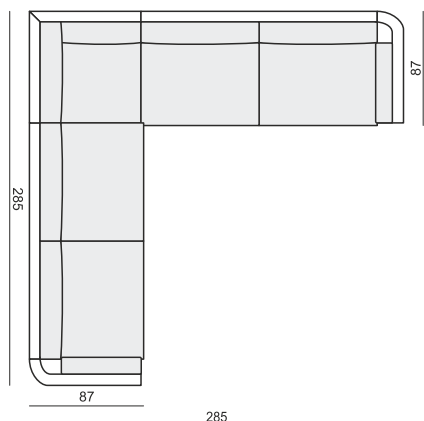
3 SEATER LEFT (or RIGHT) + CHAISELONGUE RIGHT (or LEFT)



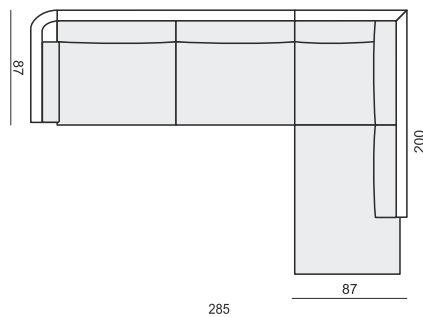
2 SEATER LEFT (or RIGHT) + CORNER 90° + 3 SEATER RIGHT (or LEFT)



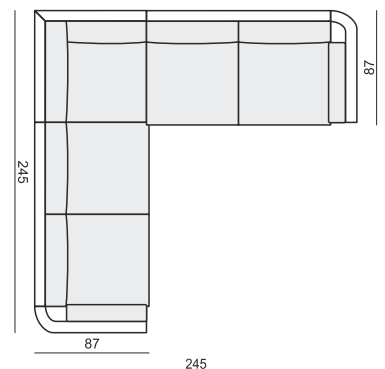
3 SEATER + CORNER 90° + 3 SEATER

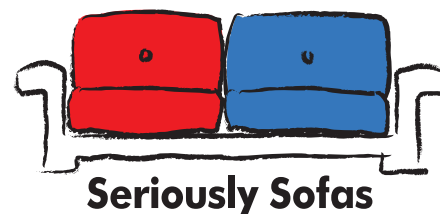


3 SEATER LEFT (or RIGHT) + DIVAN RIGHT (or LEFT)



2 SEATER + CORNER 90° + 2 SEATER





Product Description

European retro styled range that includes an armchair and three sofas. There is also a choice of different sized chaise, divan arrangements or corner arrangements. Firm to the seat, with loose base and back cushions. Bolster cushion/s (depending on what is purchased). Available in any fabric. Choice of wood colour tapered legs. Optional movable backrest. Our 200 cm sofa, displayed in grey checked fabric, retails at £1,455 (starts from £915 depending on fabric).

Product Specification

Standard specification: Hardwood frame. Serpentine sprung. Foam base and back cushions, loose fitting. Bolster cushions. All chaise, divan and corner arrangements may be ordered as either left hand facing or right hand facing.

Options available: Selection of fabrics from the manufacturer. Choice of wood leg colours.

Options available at extra cost: May be ordered in any fabric. Optional backrest with cushion that is movable (from £130 for the armchair).

Type	Width	Height	Depth
armchair	86	82	87
180 cm sofa	180	82	87
200 cm sofa	200	82	87
220 cm sofa	220	82	87
245 cm chaise arrangement	245	82	200
310 cm chaise arrangement	310	82	154
245 cm divan arrangement	245	82	200
285 cm divan arrangement	285	82	200
245 cm corner arrangement	245	82	245
285 cm corner arrangement	285	82	285
245 cm x 285 cm corner arrangement	245	82	285

please note all measurements are in centimetres